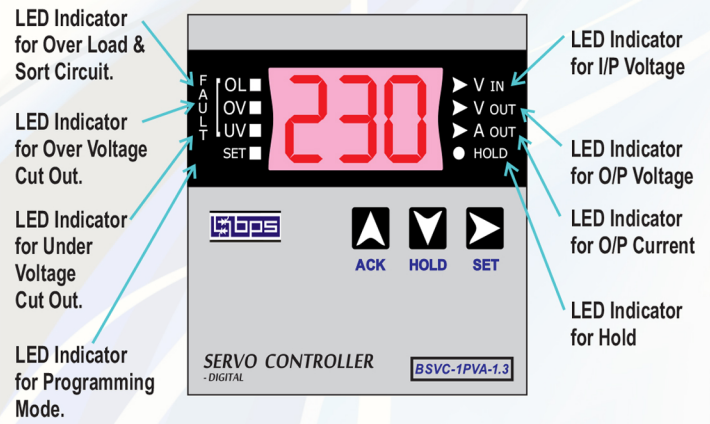


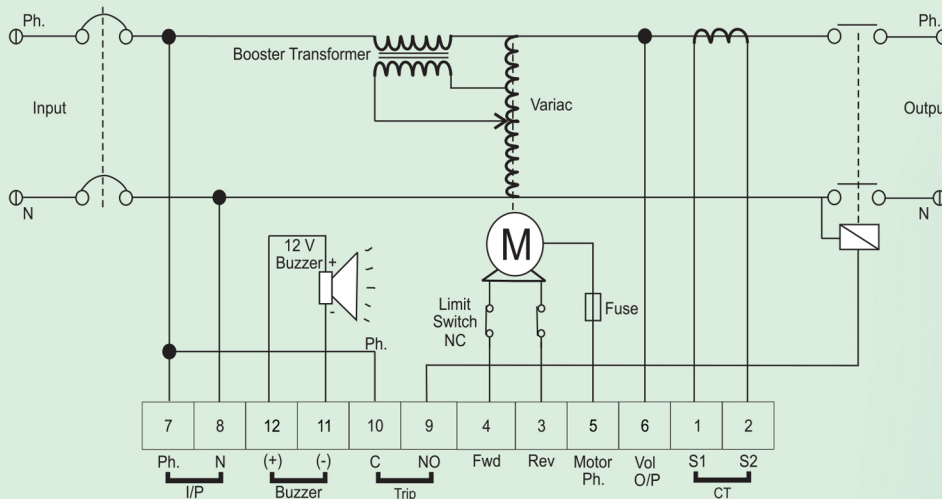
# Advantages

- Single device for metering and control.
- No need for PCBs, Switches, Meters.
- Reduces assembly & wiring time by 80%.
- Reduces manufacturing cost by 70%.
- Password protection for securing mishandling by unauthorized persons.
- Generation NEXT look of the finished product.
- Enhances reliability.
- Same controller for any voltage or capacity range thus reduces inventory counts.
- Scrolling & Hold option for Display.
- Easy for servicing/replacing at the site.

## FRONT FASCIA INDICATION AND DETAILS



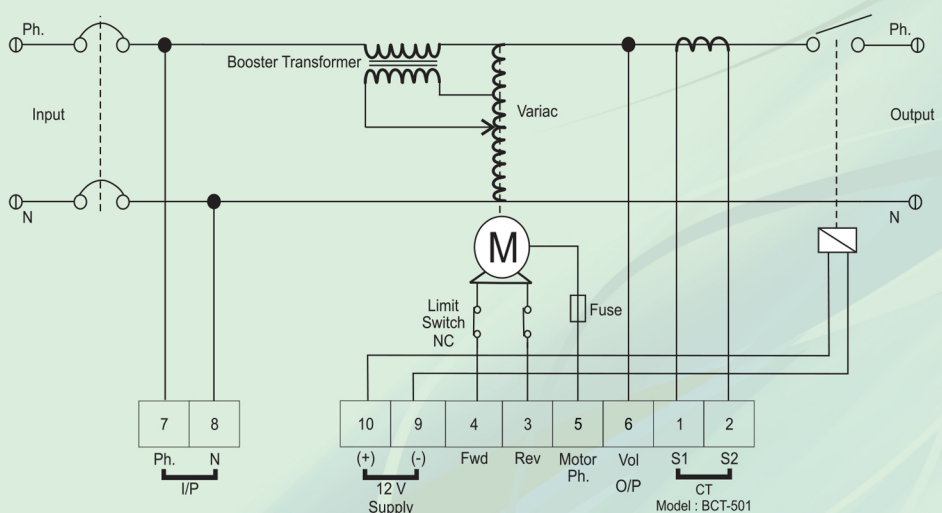
## TYPICAL CONNECTION DIAGRAM FOR MODEL: BSVC-1PVA-1.3



Recommended for :

- Single Phase Servo from 10 KVA and above
- Three Phase Servo from 30KVA and above
- For three phase, 3 controllers are to be connected with fault connections (9,10) in series.
- Direct drive for Motors upto 10 Kg.
- Standard metering CT to be connected XXX/5

## TYPICAL CONNECTION DIAGRAM FOR MODEL: BSVC-1PVA-1.4



Recommended for :

- Single Phase Servo upto 10 KVA
- With Built -in buzzer
- To be connected with electronic CT, Model No: BCT-501
- Direct power for 12 V Cut-out relay coil resistance up-to 60 Ohms.
- Contact rating of relay as per load requirement
- Direct drive for Motors upto 10 Kg.

# BAID POWER SERVICES Pvt. Ltd.

152, Block-B, Lake Town, Kolkata - 700089, West Bengal, India

Email: [info@indiapowerhouse.net](mailto:info@indiapowerhouse.net), Web: [www.baidpower.com](http://www.baidpower.com)