



# SERVO CONTROLLER -DIGITAL

**MICRO-CONTROLLER BASED CONTROL & METERING SOLUTION FOR SERVO VOLTAGE STABILIZER**

## Introduction:

BPS Servo Controller -Digital is total metering and control solution for servo stabilizers for wide range of input voltage and wide range of load requirement.

This reduces production overheads like wiring and testing and increases production rate of the voltage stabilizers.

Designed with latest micro-controller technology -the servo controller integrates multi parameter meters and servo AC synchronous motor controller driver.



96 x 96 x 65

**Reduces assembly  
& wiring time by 80%.**

**Reduce Inventory  
no control cards, etc.**

**Tried-Tested & Accepted by  
leading OEMs approved by DGS&D**

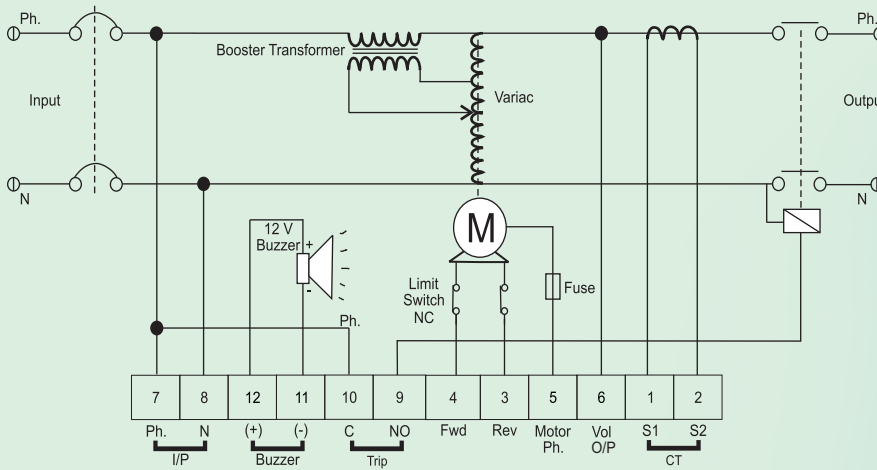
## Features:

- Wide Range of Aux Supply from 85-280 V AC (with built in SMPS).
- Standard cut out(92 x 92) with low depth-65 mm.
- Digital Multi Parameter Meter with 3 digit 7 segment Bright displays for -
  - a) Input Voltage
  - b) Output Voltage
  - c) Output Current
- Alarm & Fault indication by LEDs for
  - a) Over Load
  - b) Over Voltage
  - c) Under Voltage
- User programmable parameters: Digitally programmable at site with push buttons on front panel.
  - a) Output voltage
  - b) Hysteresis- range- 0.5 to 5 V
  - c) Under Voltage cut out
  - d) Over Voltage cut out
  - e) Over Load cut out
  - f) Over Load latch / auto re-set with delay
  - g) Trip Delay Timer
  - h) On Delay Timer
  - i) CT Ratio selectable
  - j) Password protection
- Motor drive- Triac based servo motor drive.
- Manual mode for field testing.
- Audio- Visual Alarm with Acknowledge / Silent
- Panel mount Ergonomic design with easy to operate keys

## ADVANTAGES :

- Single device for metering and control.
- No need of PCBs, Switches, Meters.
- Reduces assembly & wiring time by 80%.
- Reduces manufacturing cost by 70%.
- Password protection for securing mishandling by un-authorized persons.
- Generation NEXT look of finished product.
- Enhances reliability .
- Same controller for any voltage or capacity range thus reduces inventory counts.
- Scrolling & Hold option for Display.
- Easy for servicing/replacing at site.

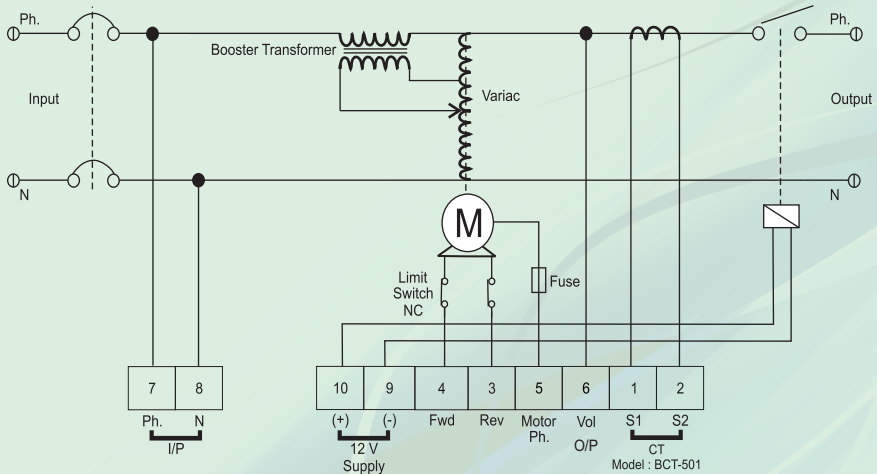
## TYPICAL CONNECTION DIAGRAM FOR MODEL: BSVC-1PVA-1.3



Recommended for :

- Single Phase Servo from 10 KVA and above
- Three Phase Servo from 30KVA and above
- For three phase, 3 controllers are to be connected with fault connections (9,10) in series.
- Direct drive for Motors upto 10 Kg.
- Standard metering CT to be connected XXX/5

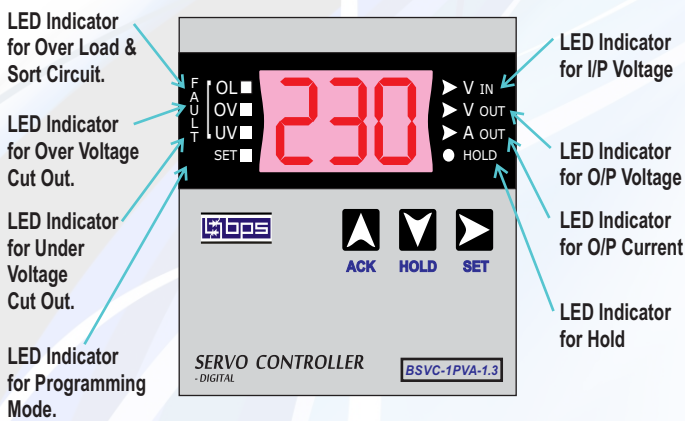
## TYPICAL CONNECTION DIAGRAM FOR MODEL: BSVC-1PVA-1.4



Recommended for :

- Single Phase Servo upto 10 KVA
- With Built -in buzzer
- To be connected with electronic CT, Model No: BCT-501
- Direct power for 12 V Cut-out relay coil resistance up-to 60 Ohms.
- Contact rating of relay as per load requirement
- Direct drive for Motors upto 10 Kg.

## FRONT FASCIA INDICATION AND DETAILS



## Technical Specifications:

Aux.	: 85 - 280 V AC
Accuracy	: Class 1 [+/- (1% of full scale +1count)]
Resolution	: 1 count in 100 or better
Display	: 3 Digit 7 seg. display
Triac (motor)	: Max. 6 Amp.
Trip relay	: 5 Amp. potential free / 12V 250mA
Buzzer	: 12 V DC (Optional potential free)
Burden	: 0.5 VA max.
Mounting	: Panel Mounting
Weight	: 270 gms (approx)
Dimensions	: 96 x 96 x 65 (D) mm
CT Ratio	: 5 Amps. - 900 Amps./ BCT-501
Panel Cutout	: 92 x 92 mm
Ambient	: 0-50 ° C humidity < 95%



**BAID POWER SERVICES Pvt. Ltd.**

152, Block- B, Lake Town, Kolkata - 700089, West Bengal, India  
 Tel: +91(033)2521 0322, Tele/Fax: +91(033)2534 3662,  
 Email: info@indiapowerhouse.net  
 Web: www.indiapowerhouse.com